



YLI ELECTRONIC

# Plastic Surface Smoke proof Door Holder with Signal



## Model: YD-607-S

### Basic Instruction

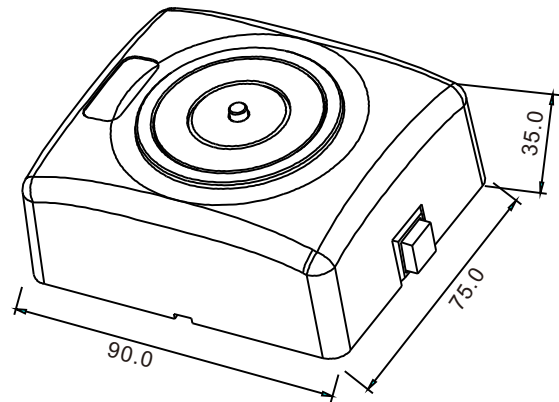
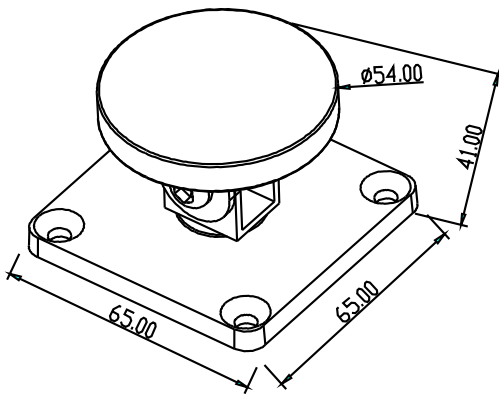
24VDC(12/24VDC need order)  
Emergency Release Button/Test Button  
Wall Mounting Direction

Low Current Consumption  
Reliable Fail-Safe Mechanism

### Specifications

- Dimension: 75Lx90Wx35H(mm)
- Voltage: 24VDC
- Current draw: 70mA
- Signal output: Green: NO/Yellow: NC/White: COM
- Surface temp:  $\leq +20^{\circ}\text{C}$
- Optional: Manual door release button
- Suitable humidity: 0~90%(relative humidity)
- Weight: 0.82kg
- Holding force: 50kg(110Lbs)
- Suitable for: All Kinds of Single(Double) Smokeproof Door
- Finishes for shell: High Temperature Paint and Environmental Protection Zinc
- Finishes for armature: Chromium
- Cover material: ABS

### Dimension



### Installation

Remarks:

1. The default setting is 24VDC.
2. Red wire is +, black wire is -.
3. Release the red button by hand in emergency.

