



YLI ELECTRONIC

European Type Floor Mount Door Holder

Model: YD-609B-S

CE EHS EMC tested MA
Patent: No.201430356142.2

Basic Instruction

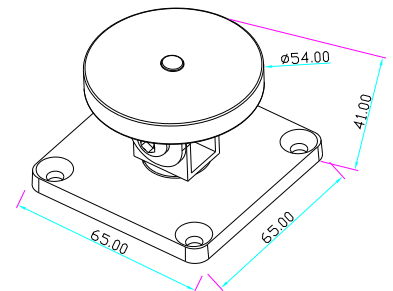
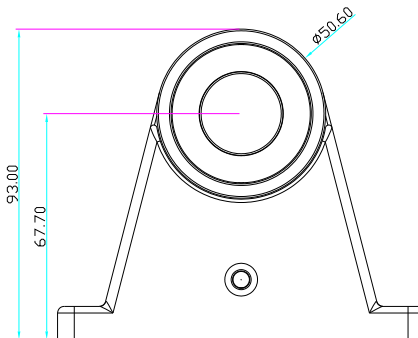
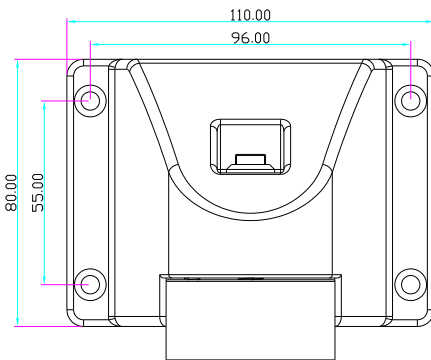
Dual Voltage Selectable(12VDC or 24VDC)
Emergency Release Button/Test Button
Floor Mounting Direction

Low Current Consumption
Reliable Fail-Safe Mechanism
Durable and Silence Operation

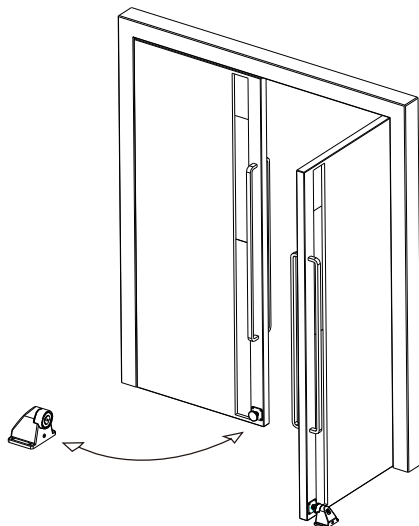
Specifications

- Dimension: 110Lx80Wx93H(mm)
- Holding Force: 50kg(110Lbs)
- Voltage: DC12V/24V(Adjustment)
- Current Draw: 12V/140mA 24V/70mA
- Optional: The Hand Moves and Closes the Door to Release the Button
- Signal Output:NO/NC/COM
- Suitable for: All Kind of the Single & Double Smokeproof Door
- Surface Temp: $\leq +20^{\circ}\text{C}$
- Operating Temp: $-10 \sim +55^{\circ}\text{C}$ (14-131F)
- Suitable Humidity: 0~90%(Relative humidity)
- Weight: 1.1kg

Dimension



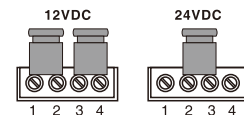
Installation



12/24V Adjustable

Remarks:

1. The default setting is 24VDC.
2. If user want to connect with 12VDC, operating as below:
 - (1) Pull those two jumpers out. It is showed 4 pins here.
 - (2) To set up 12VDC, insert one jumper on the position of 1 and 2, second jumper on the position of 3 and 4.



| | |
|--------|-----|
| Red | + |
| Black | - |
| Yellow | NC |
| White | COM |
| Green | NO |

