



YLI ELECTRONIC

Tappet Contact

Model:DLK-404



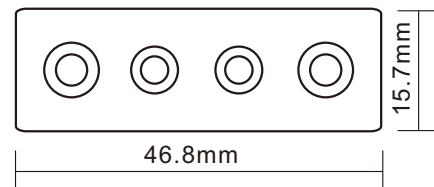
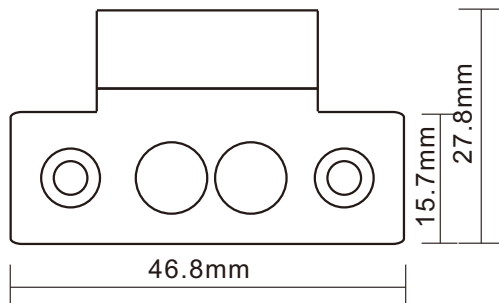
Basic Instruction

Door loop is made of excellent material,Seiko quality,Special design,Applicable to use for access control,to protect the wire when install the elctric lock,magnetic contact,alarm button on the door, convenient and beautiful.

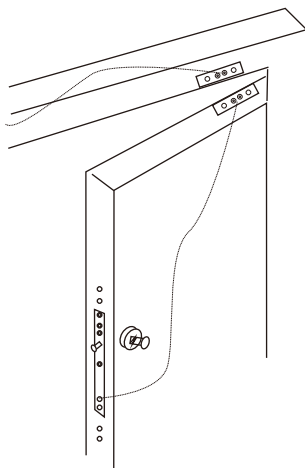
Specification

Material : High Strength Aluminum, Sandblast Finished
Suitable for Door: All Kind of Single Door & Double Doors
Max. Current: 5A
Max. Voltage: 0-36VDC/VAC
Contact Material: Plated brass
Weight: 0.26kg

Dimension



Installation



Feature

- Select Special Durable Material
- Link on the Door Leaf and Door Frame Without Wires
- Convenient for Special Installation
- Speciality Use for the Access Control Project