



YLI ELECTRONIC

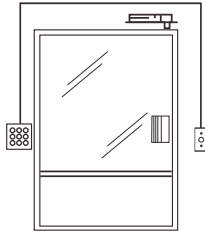
Zinc Alloy Box

Model: MBB-811B-M

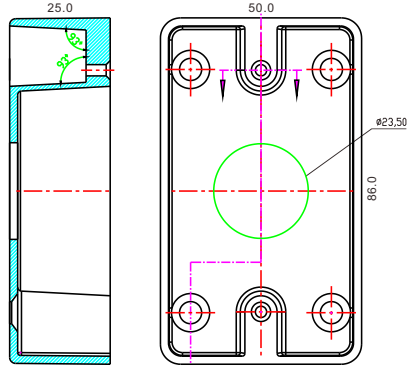


Parameter

- Dimensions: 86Lx50Wx25H(mm)
- Standard instruction: Zinc alloy material and surface is coated with chrome
- Adaption accessories: PBK-810B/814B/818A 820B/ISK-841B
- Weight: 0.16kg



Dimensions



www.yli.cn

We create security



YLI ELECTRONIC

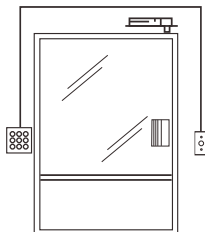
Zinc Alloy Box

Model: MBB-811B-M

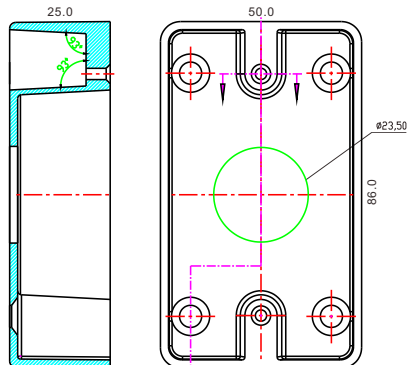


Parameter

- Dimensions: 86Lx50Wx25H(mm)
- Standard instruction: Zinc alloy material and surface is coated with chrome
- Adaption accessories: PBK-810B/814B/818A 820B/ISK-841B
- Weight: 0.16kg



Dimensions



www.yli.cn

We create security