



YLI ELECTRONIC

Surface-mounted Electric Bolt W/Cylinder

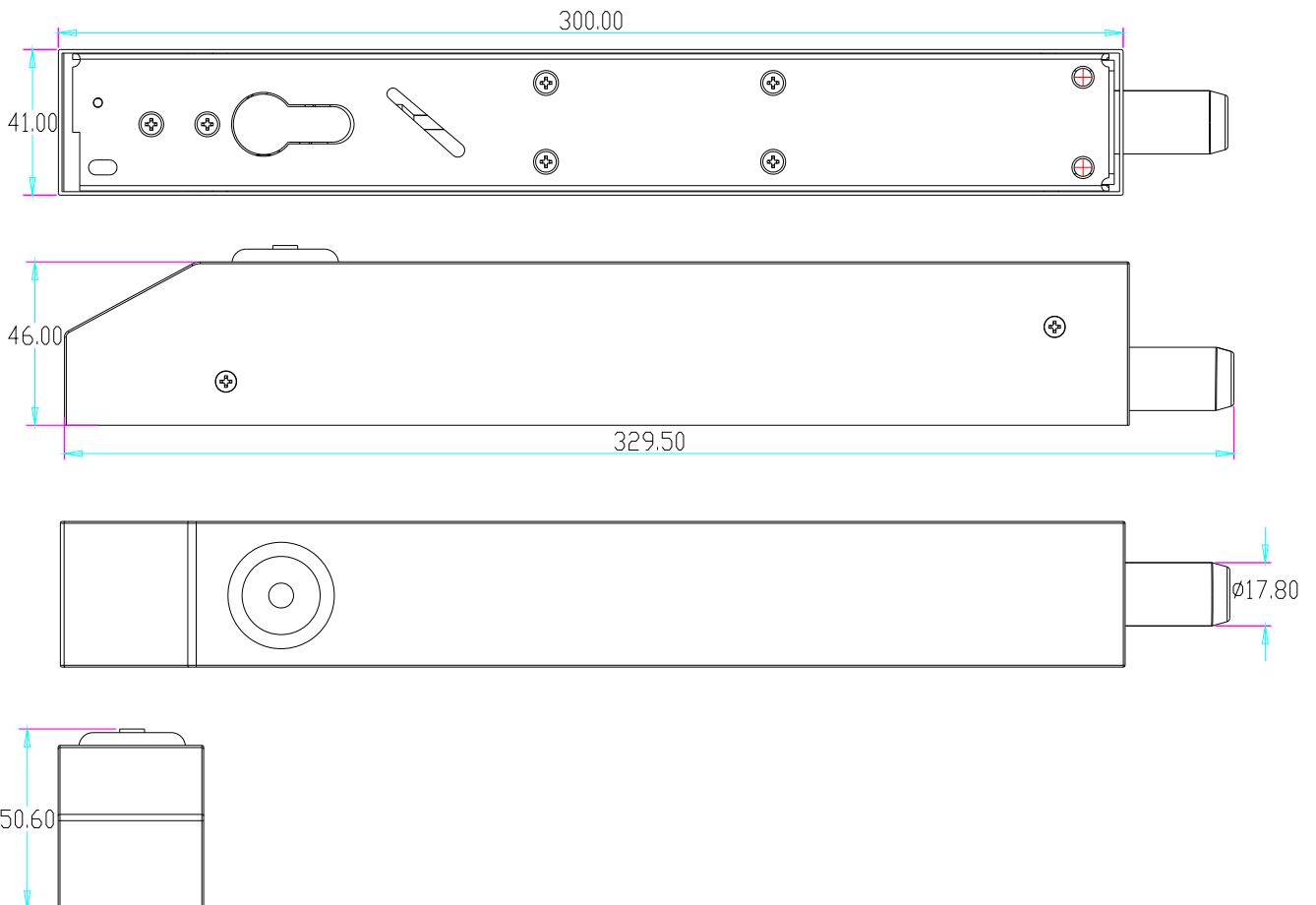
Model: YB-900



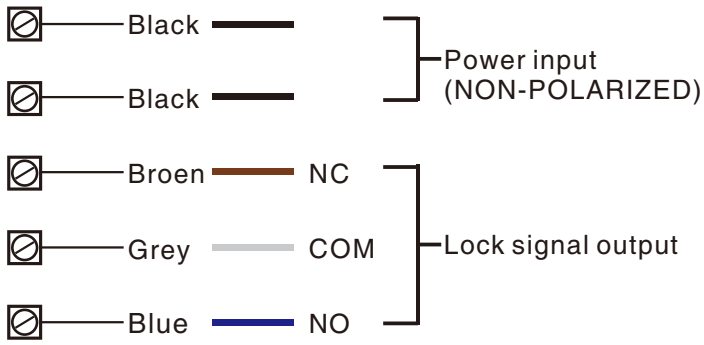
Parameters

Lock Body	329.5Lx41Wx46H(mm)
Bolt	29.5(prolongation)*17.8(diameter)(mm)
Signal Output	Lock signal: NC/NO/COM
Voltage	DC12V(DC24V need order)
Current	Start 5.0A; Standby 0.6A
Feature	Fail secure
Bolt strength	304 stainless steel ,2000kg holding force
Installation	Can be installed to the left or down
Waterproof level	IP-55
Optional power	YP -904 -5
Suitable for	Steel gates; Heavy door
Material	304 stainless steel
Weight	1.8kg

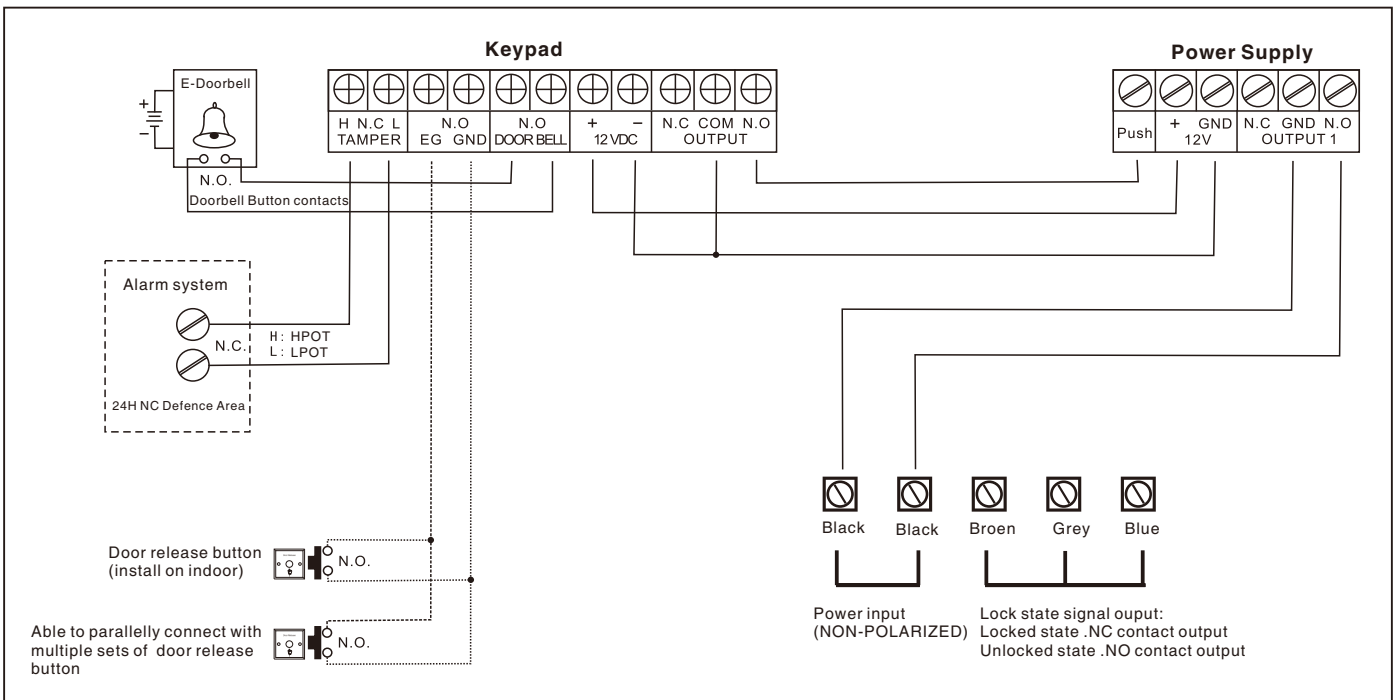
Dimensions



Wiring Diagram



Installation Steps



Installation Schematic

