



YLI ELECTRONIC



Door Closer

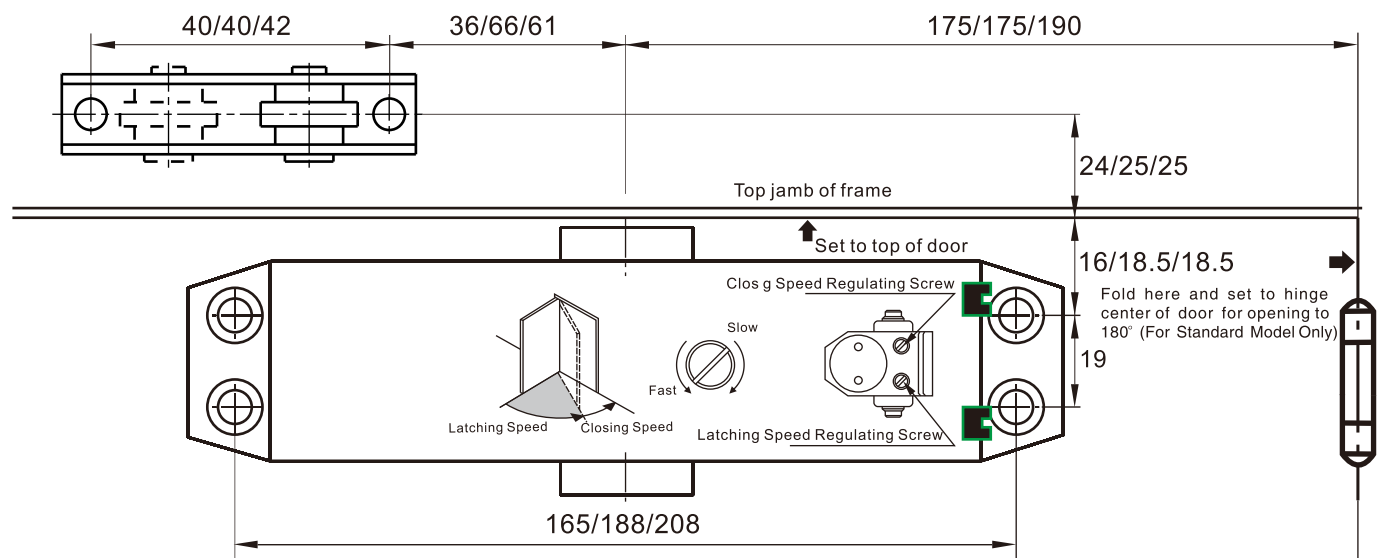
Basic Instruction

Door closer is installed at the top of the door leaf with single opening, is applicable to wooden door, steel door, fire door. Applicable to single door with the maximum door width of 950-1200mm and door weight of 40-100kg.

Specification

Model	Size(unit:mm)	Width Of Door Max.(mm)	Weight Of Door Max. (kg)	Speed	Ack-check Function	Weight(kg)
YC81-2	180Lx40Wx63H	950	40-65	Speed1 180° -15° Speed2 15° -0°	NO	1.5
YC82-2	206Lx44.5Wx68H	1050	60-85	Speed1 180° -15° Speed2 15° -0°	NO	2.0
YC83-2	226Lx44.5Wx72H	1200	80-100	Speed1 180° -15° Speed2 15° -0°	NO	2.10

Dimension



Standard Installtion

Standard installtion template for LEFT hand doors mounted on door on pull side.

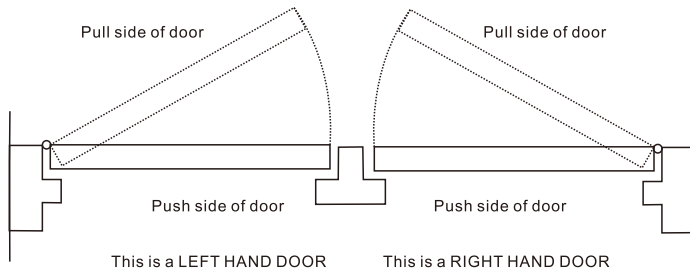
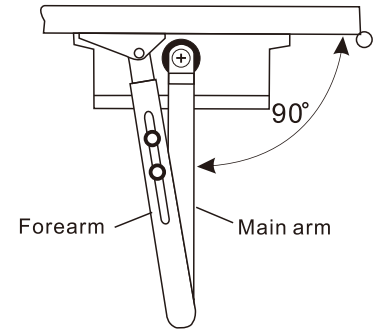
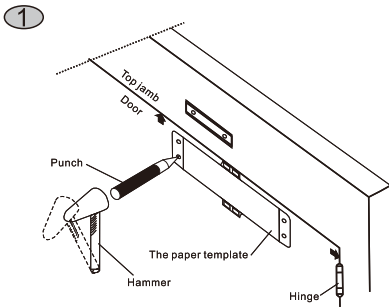


CHART FOR HAND OF DOOR

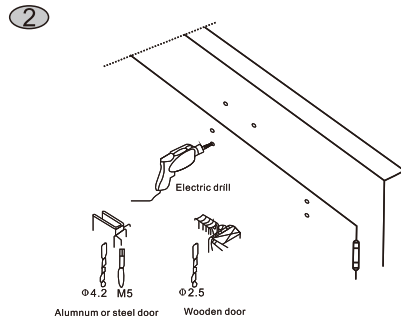


LEFT HAND DOOR

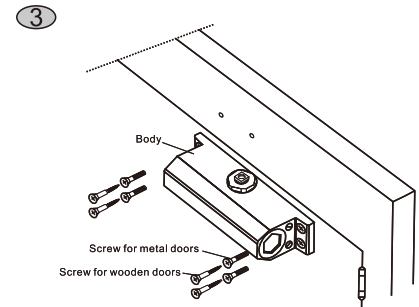
Installation



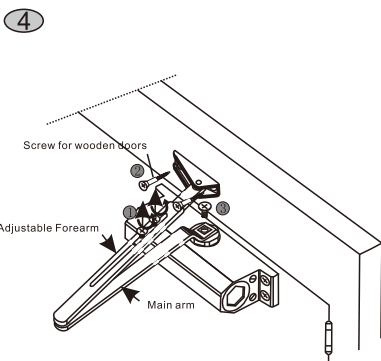
Put the paper template tight with the door and door frame, (the side line that the arrowhead aims at the door) Mark on the door and door frame.



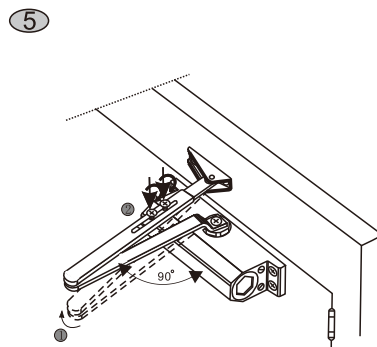
Drill $\phi 4.2$ hole against the mark, Tap M5 screw hole. (For wood door is not required)



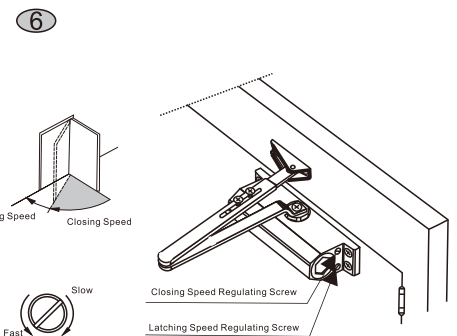
Fix the body on the door with 4 screw



1. Loosen the screw of adjustable forearm.
2. Fix the adjustable forearm on the door frame with two screws.
3. Fix the main arm on the body with one screw.



1. Turn the main arm and make the main arm with the body as 90°.
2. Tighten the screw of adjustable forearm.



Adjust door closing speed and latching speed:
the user can adjust the screw closing and latching speed individually.