



YLI ELECTRONIC

# American Type Wall Mount Door Holder

## Model: YD-603US



### Basic Instruction

12/24V DC(24V for factory settings)  
Emergency Release Button/Test Button  
Wall Mounting Direction

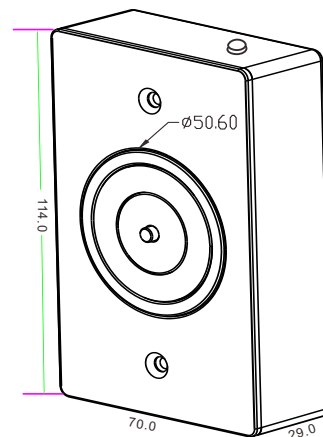
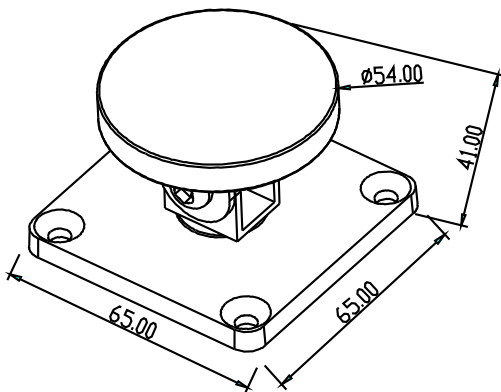
Low Current Consumption  
Reliable Fail-Safe Mechanism  
Durable and Silence Operation

### Specifications

- Dimension: 114Lx70Wx29H(mm)
- Voltage/Current: 12V/180mA; 24V/70mA
- Surface Temp:  $\leq +20^{\circ}\text{C}$
- Operating Temp:  $-10\sim+55^{\circ}\text{C}$ (14-131F)
- Finishes for Armature: Chromium
- Faceplate material: stainless steel
- Weight: 1.0kg

- Holding Force: 50kg(110Lbs)
- Suitable for: All kinds of Single(Double) Smokeproof Doors
- Optional: Manual door release button
- Finishes for Shell: High Temperature Paint  
Environmental Protection Zinc
- Suitable Humidity: 0~95%

### Dimension



### Installation

#### Remarks:

1. The default setting is 24VDC.
2. Red wire is +, black wire is -.
3. Release the red button by hand in emergency.

