



YLI ELECTRONIC

Single Door Magnetic Lock (Portable)

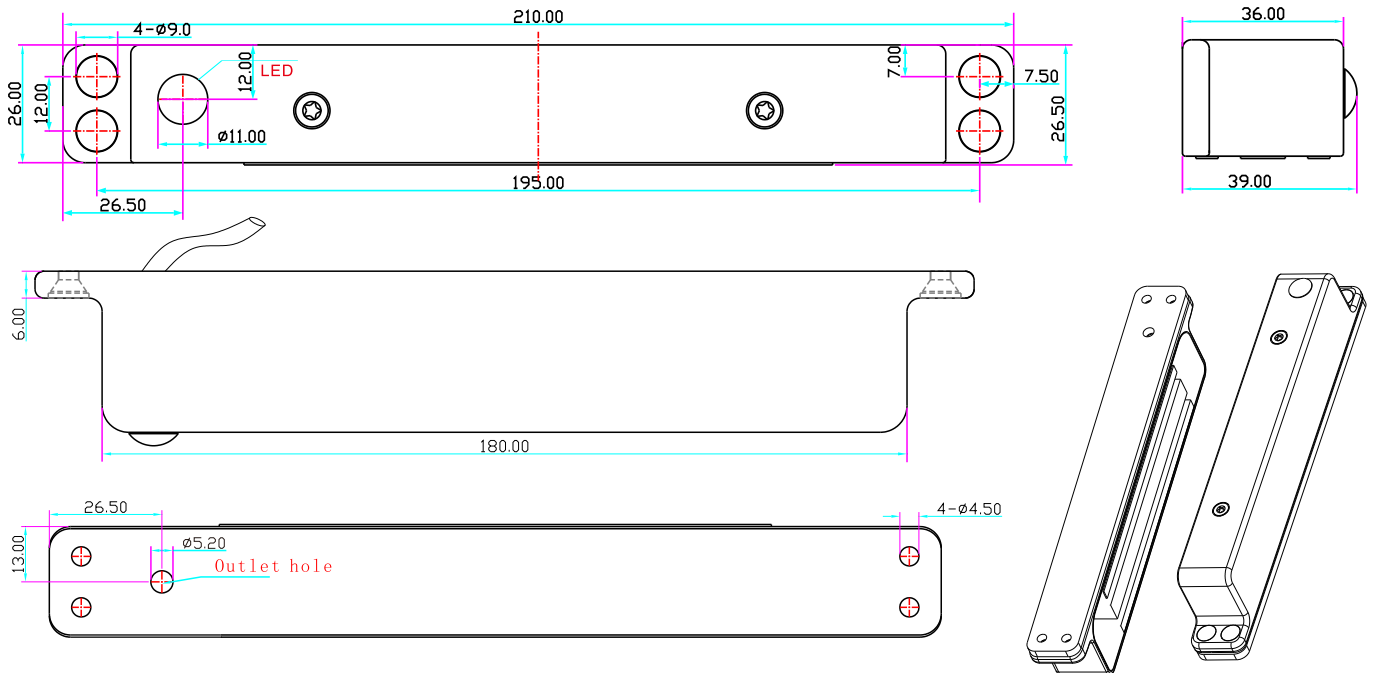


Model: YM-180H(LED)

Specification

Lock Size	210Lx26.5Wx36H(mm)
Holding Force	180kg(350Lbs)
Voltage	DC12V DC24V
Current	12V/400mA±10% 24V/200mA±10%
Signal Output	Lock signal(NO/COM)
LED Indication	Red shows locked ;Green shows unlocked
Suitable for	Wooden door , PVC door ,Metal door , Fireproof door
Suitable Temperature	-10~+55°C
Weight	1.5KG
Patent Number	201620102661.X

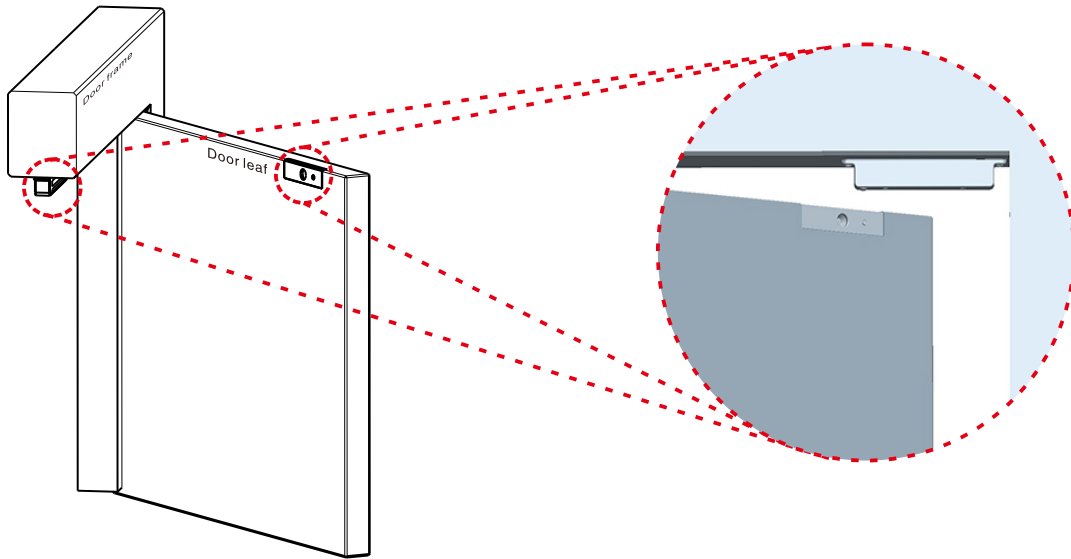
Diagram(unit:mm)



⚠ Cautions:

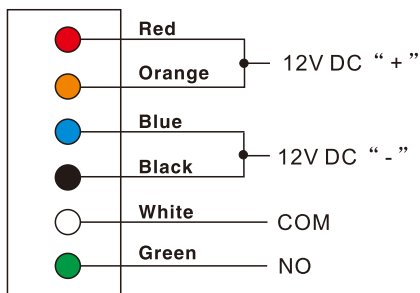
- The screw of armature plate should not be fixed too tight. Proper elasticity should be guaranteed for the rubber ring so that the armature plate can adjust itself to the appropriate position.
- Check the voltage before connecting the wires, 12V or 24VDC.
- Please keep the surface of the lock clean, or the force will be reduced because of the dust, glue or scotch tape on it.

Installation Instruction

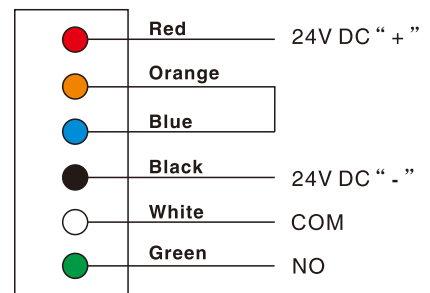


Wire Diagram

A. 12V DC Input



B. 24V DC Input



Wire Connection

