



YLI ELECTRONIC

Door Loop for Mortise Mounting

Model: DLK-402/402SS/402L



Basic Instruction

Door loop is made of excellent material, Seiko quality, Special design, Applicable to be used for access control, to protect the wire when install the electric lock, magnetic contact, alarm button on the door, convenient and beautiful.

Specification

DLK-402

Size: 290Lx24.4Wx12H(mm)DIA
Suitable Range: Prevent the wire from malicious damage
Standard Structure: Alloy Material, Thickened Ripple Tube
Finish for Shell: Painted by high temperature
Weight: 0.27kg

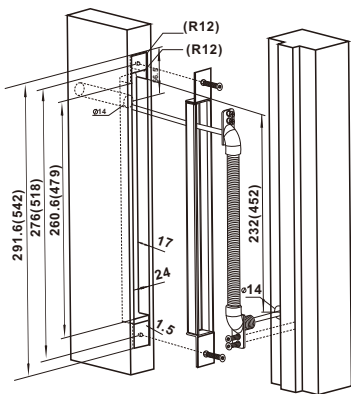
DLK-402SS

Size: 300Lx24Wx13H(mm)DIA
Suitable Range: Prevent the wire from malicious damage
Standard Structure: Alloy Material, Thickened Ripple Tube
Finish for Shell: Painted by high temperature
Weight: 0.3kg

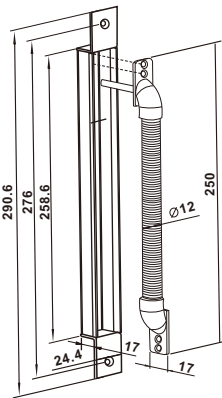
DLK-402L

Size: 542Lx24Wx17H(mm)DIA
Suitable Range: Prevent the wire from malicious damage
Standard Structure: Alloy Material, Thickened Ripple Tube
Finish for Shell: Painted by high temperature
Weight: 0.4kg

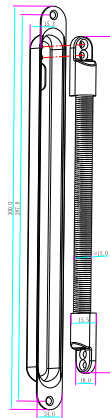
Dimension



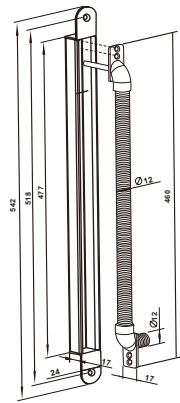
DLK-402/(DLK-402L)



DLK-402

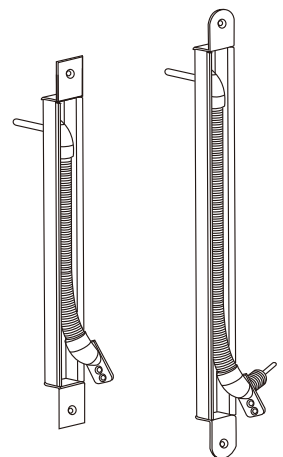
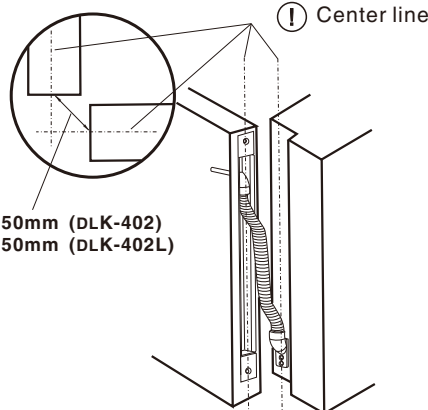
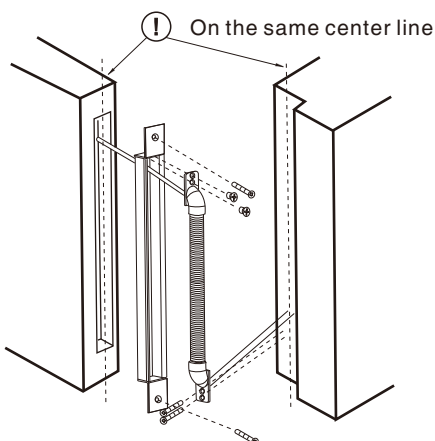


DLK-402SS



DLK-402L

Installation



DLK-402, DLK-402L